

Project	
Nomenclature	
Type	Date
Approval	
Notes	

This superior-grade LED decorative retail fixture is ideal for indoor use, where energy efficiency, performance and ease of maintenance is essential. Its rugged design and superior light paths make it an ideal fixture for retail applications

Luminaire Summary

Features

- Operating temperature ranges available from -20C to 25C
- L70 of -1+ hours, L90 of -1+ hours
- Standard 0 - 10V dimming
- Available in 2700K, 3000K, 3500K, 4000K, 5000K and 6500K
- Lumen packages are available ranging from 3L (3000lm) to 10L (10000lm)

Approvals

- ETL certified to UL Canada and United States standards
- Made with UL Listed components
- DLC Listed* (select models only)
- DLC Premium* (select models only)

Mounting

- Holes provided for aircraft cables
- Optional pendant mount and surface mount brackets

Construction

- Manufactured in Ontario, Canada
- Cold-rolled steel parts are precision bent for added strength and rigidity
- Access panel provided for easy wiring
- Powder-coated finish in low-gloss white

Electrical

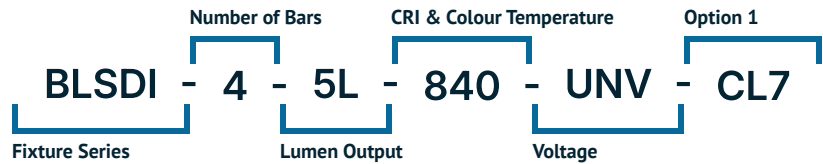
- Available in 120-277V, 120-347V, 347V and 480V

Options

- Frosted Acrylic Lenses
- 90 and 95+ CRI Options Available

Ordering Information

Fill in the fields below with your product selections. If you need help with this section, [contact your local sales professional](#).



1	2	3	4	5	6
BLSDI					

Series	Number of Bars	Lumen Output				CRI	Colour Temp	Voltage
BLSDI	3 - 3 Bars	3L	3000lm	6L	6000lm	8 - 80 CRI	27 - 2700K	UNV - 120-
	4 - 4 Bars	4L	4000lm	7L	7000lm	9 - 90 CRI	30 - 3000K	277V
		5L	5000lm	8L	8000lm	1 - 95+ CRI	35 - 3500K	UN3 - 120-
		6L	6000lm	9L	9000lm		40 - 4000K	347V
		7L	7000lm	10L	10000lm		50 - 5000K	347 - 347V
		4L	4000lm	**L - Custom lumen package or length			65 - 6500K	480 - 480V
		5L	5000lm					

Options

Lenses

L0	No Lens
L18	Frosted Acrylic
L19	Heavy Frosted Acrylic

Cords

W3xx	White 16/3 (Specify Length)
W4xx	Black 16/3 (Specify Length)
W59xx	White 18/5 (Specify Length)
W***	Other Options Available*

Key.	Cord Length.	Key	Cord Length
6	6FT	15	15FT
10	10FT	20	20FT

Ex. W406 would be 16/3 Black, 6FT

Dimming

B11	0-10V Dimming Leads
B12	Line Voltage Dimming
B27	Dim-to-off Driver

Emergency Driver

B17	UL924 10W Battery Back-up
F8	UL924 Emergency Relay

Packaging

BLANK	Individually Boxed on Pallets
P0	Bulk Packaging
P**	Other Options Available*

Mounting

M6xx	Aircraft Loop Kits
M62xx	Aircraft Loop Kits w/ Side Exit Cable Grippers
M24	Single Pendant Mount(3/4 Hub)
M25	Surface Mount
M**	Other Options Available*

Key.	Aircraft Length.	Key	Aircraft Length
5	5FT	15	15FT
10	10FT	20	20FT

Ex. M305 would be Y-Toggle, 5FT

Warranty

CL7	10-Year Comprehensive Warranty Upgrade
-----	--

Documentation and Resources

All files and resources are available on our website for download. Files and resources are also embedded as links in this document, listed below. Additional files may be available upon request. Please contact your local sales agent [here](#) or contact sales@bjtake.com for more information.

- | | | | |
|--------------------|---------------------|--------------------|--------------------|
| BLSDI-4-9L-840-L18 | BLSDI-4-10L-840-L18 | BLSDI-3-3L-840-L18 | BLSDI-3-4L-840-L18 |
| BLSDI-3-5L-840-L18 | BLSDI-3-6L-840-L18 | BLSDI-3-7L-840-L18 | BLSDI-4-4L-840-L18 |
| BLSDI-4-5L-840-L18 | BLSDI-4-6L-840-L18 | BLSDI-4-7L-840-L18 | BLSDI-4-8L-840-L18 |

Certifications and Listings

Certifications that apply to this fixture and its possible configurations are listed here. More information available upon request.

Icon	Description
	DLC Listed* (select models only)
	DLC Premium* (select models only)
	ETL Listed
	90 and 95+ CRI Options Available

Usage Applications

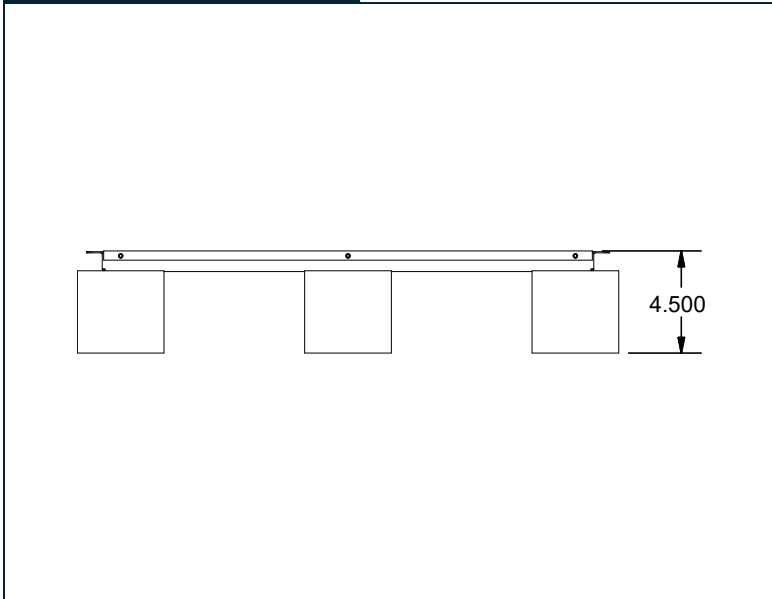
This fixture can be used in a variety of applications, and is ideal for the following:

Usage Application
Manufacturing Facilities
Storage & Warehousing
Gymnasiums
Retail Stores
Grocery Stores

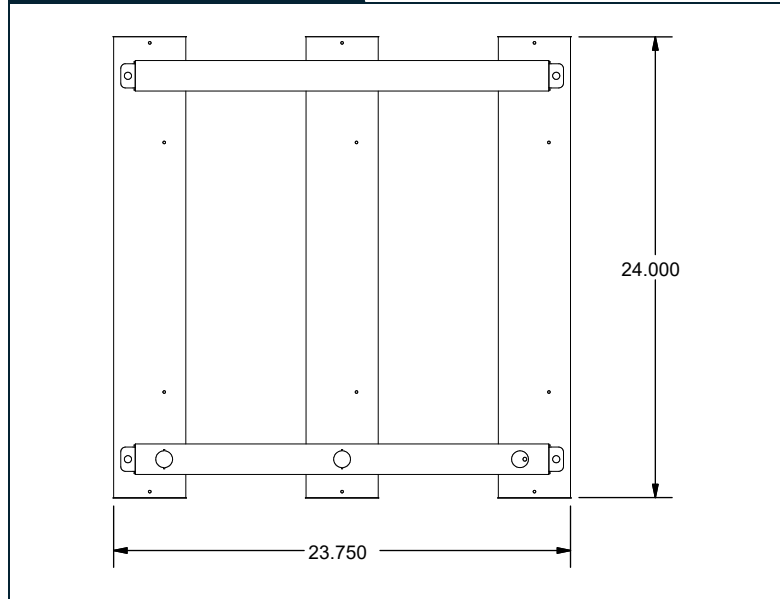
Warranty Statement

BJ Take products are tested and/or inspected prior to being packaged for shipment and are guaranteed from the day the product is shipped for a period of ten-year LED chip warranty and a five-year comprehensive component warranty. This can be upgraded to a ten-year comprehensive warranty on request.

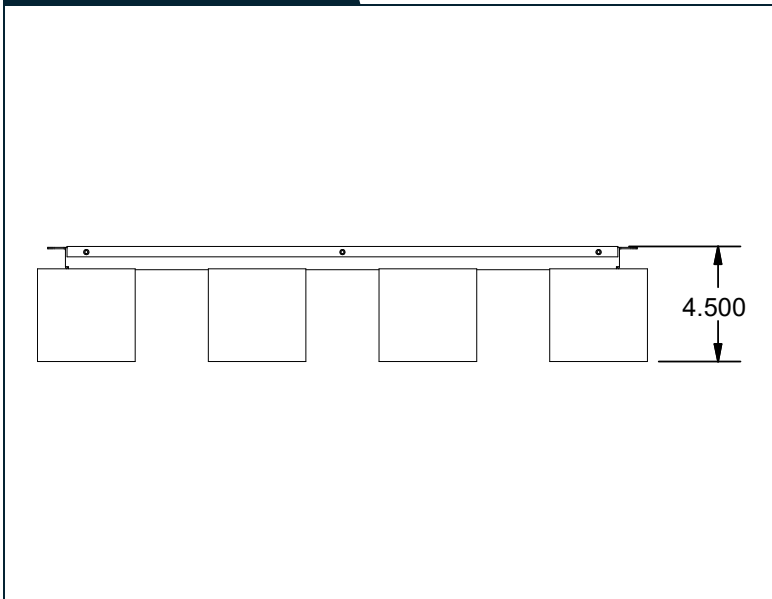
BLSDI, 3 Bar Side View



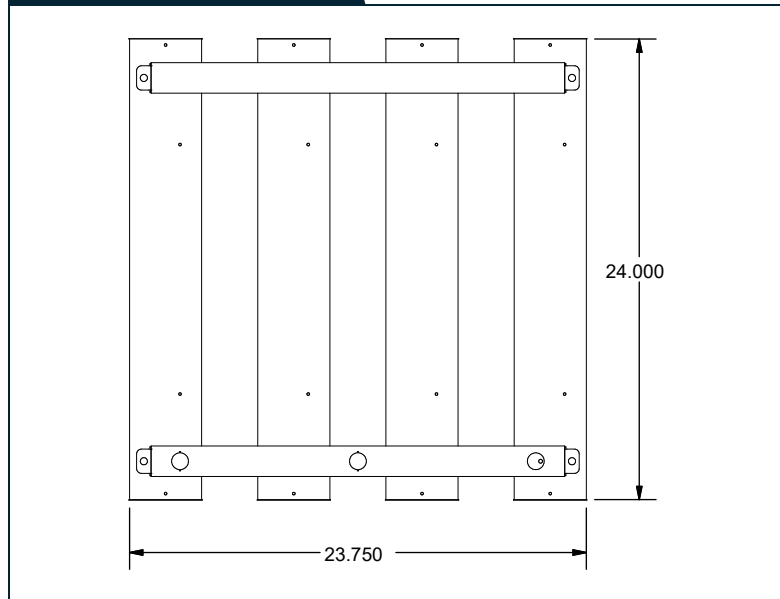
BLSDI, 3 Bar Top View



BLSDI, 4 Bar Side View



BLSDI, 4 Bar Top View



BLSDI, 3 Bar 4L Wattage

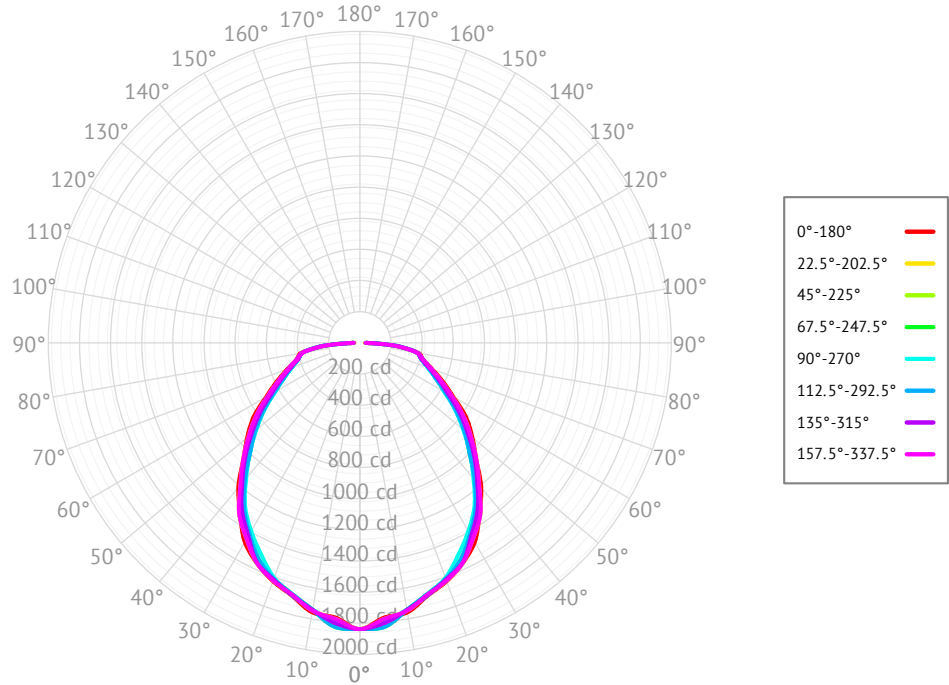
Number of Bars	Lumen Output	Actual Lumen Output	Fixture Wattage	Lumens per Watt
3	4	4236	31.40	135.10

- * Drawings aren't to scale
- * Standard tolerances apply
- * Specifications may change without notice

BLSDI-4-5L-840-L18

Cone of Light

Mtg Height	Light Level	Beam Diameter
6.0 ft	51.0 fc	14.9 ft
8.0 ft	28.7 fc	19.8 ft
10.0 ft	18.4 fc	24.8 ft
12.0 ft	12.8 fc	29.7 ft
14.0 ft	9.4 fc	34.7 ft
16.0 ft	7.2 fc	39.6 ft



Based on BLSDI-4-5L-840, ie. (BLSDI, 4 bars, 5000lm, 80 CRI, 4000K)