

### Important Safeguards:

When using electrical equipment, basic safety precautions should always be followed including the following:

Read and follow all safety instructions

1. **Danger** - Risk of shock - Disconnect power before installation
2. **Product must be installed in accordance with CEC or your local electrical code.** If you are not familiar with these codes and requirements, consult a qualified electrician.

SAVE THESE INSTRUCTIONS FOR FUTURE REFERENCE



Notes:

- Available in 2' and 4' lengths.

BLHV Options Available:

- Motion Sensor

### Installation Instructions:

Figure 1.

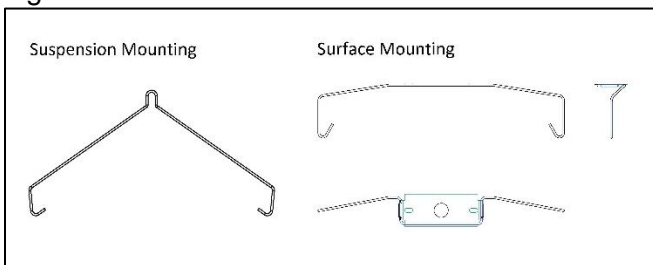
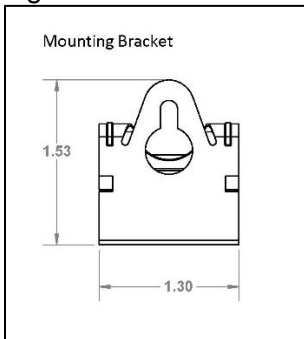


Figure 2.



### Luminaire Installation:

#### Mounting

Brackets are provided for either surface mounting or suspension mounting. (See Figure 1)

#### Surface Mounting

Step 1:

Securely attach the surface mounting brackets to the mounting surface. It is recommended that the dimension between the centers of the brackets be 36 inches.

Step 2:

Insert the brackets into the mounting brackets on the housing. (See Figure 2)

#### Suspension Mounting

Step 1:

Securely attach the suspension mounting brackets to the enclosure.

Step 2:

Secure the chain or wire to the suspension mounting brackets. (See Figure 1)

Figure 4.

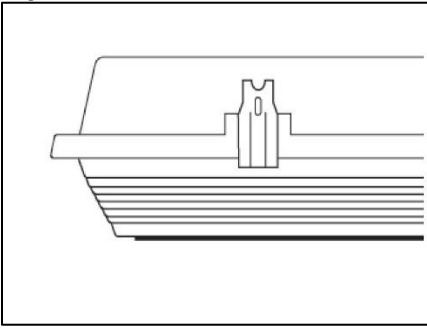
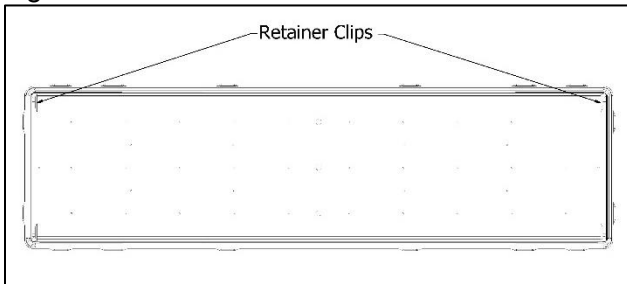


Figure 5.



## Wiring

### Step 1:

Open the fixture by un-latching the latches around the housing to remove the lens. **(See Figure 4)**

### Step 2:

Hang the gear tray by pinching the retainer clips on the ends of the fixtures. **(See Figure 5)**

### Step 3:

Make the following connections. **(See Electrical Connections)**

### Step 4:

Snap the gear tray back into place and re-install the lens.

## Electrical Connections:

---

Make the following Electrical Connections:

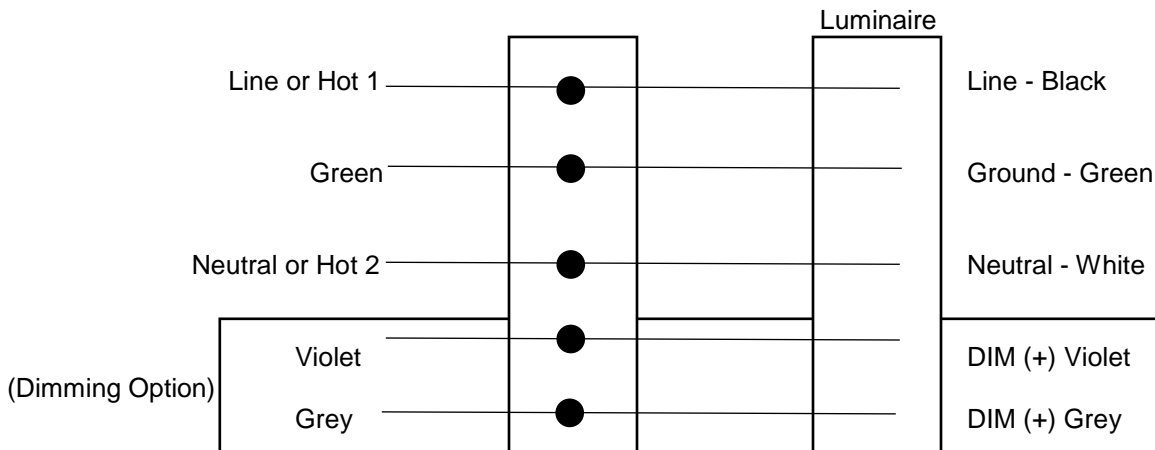
**For 120-277V / 347V Applications** make the following Electrical Connections:

Connect the black luminaire lead to the line supply lead

- a. Connect the white luminaire lead to the neutral supply lead
- b. Connect the green or green and yellow ground lead to the supply ground lead

Dimming Option:

- a. Connect the violet dimming positive lead to the supply dimming positive lead
- b. Connect the grey dimming negative lead to the supply dimming negative lead



**For 16/4** both circuits must be connected to the same branch circuit, i.e. turning off the branch circuit protection will turn off both circuits of the luminaire.

## Electrical Disconnect Instructions:

---

The above electrical connections for the line 1 and neutral are made using the electrical disconnect that is connected to the ballast. The connections are made as follows below, note that the disconnect is color coded for circuit wiring.

- a. Black to Live
- b. White to Neutral

The intended wire sizes are as follows, with an 11-13 mm jacking length.

- a. 2 x AWG 18-12 **solid wire** per pole
- b. 2 x AWG 16-12  $\leq$ 19 **stranded wire** per pole

If a wire is connected incorrectly the only way to remove the wire is by twisting the electrical disconnect and pulling firmly on the incorrect wire.

**When wiring using a flexible cable a Class 1 Division 2, Class 2 Division 2 and Class 3 rated cable gland must be used, we recommend using the CG-3750S from Appleton**