

Project:
Type:
Date:
Product Code:
Approval:



Stylish and performance driven fluorescent lighting.

BFRY - SPECIFICATIONS MAY CHANGE WITHOUT NOTICE

Professional-grade recessed fluorescent wall wash fixture. It is ideal for indoor use, where high-efficiency, high-performance and ease of installation are required. Its precision bent reflector virtually eliminates shadows while illuminating walls and perimeters of rooms.

FEATURES

- 2' and 4' lengths available
- Flange kits are riveted for added strength
- End caps are screwed in for durability
- Available in T5 only

OPTIONS

- 2' and 4' lengths available
- Asymmetrical reflector
- Flange kit for drywall ceiling

APPLICATIONS

- Coves
- Offices
- Reception areas

APPROVALS

- ETL listed product

OPTICS

Pre-painted body in high-reflectance white is precision bent for added strength. Asymmetrical reflector is made from specular aluminum (AL+). T5 fluorescent light source is standard.

ELECTRICAL

All components have met all regulatory approvals. Fixture is available in 120 - 277VAC and 347V options. Lamp retention through rotary lamp holders.

MOUNTING

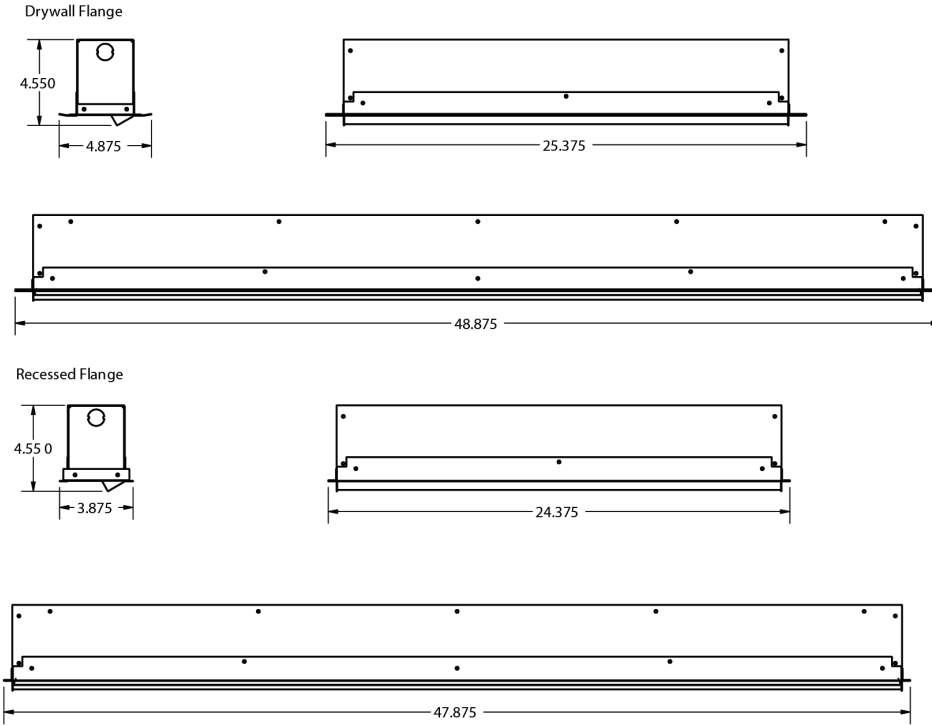
Holes provided for chain or hanger wire mounting support for T-Bar ceilings. Can be mounted in drywall ceilings using the optional flange kit.

CONSTRUCTION

Precision-formed, code gauge pre-painted, white steel body. Specular aluminum reflector is precision bent.



PRODUCT DIMENSIONS



PRODUCT KEY

Fixture Type	Fixture Diameter	Number of Lamps	Lamp Watts	Lamp Type	Ballast Voltage	Ballast Factor	Options
BFRY	4'	1	<input type="text"/> W	T5	<input type="text"/>	<input type="text"/>	<input type="text"/>
			28		120	Normal (N)	
			54		120/277 (UNV)	High (H)	
					347	Low (L)	

OPTIONS

- Battery Back-Up**
(Needs to be specified)
- Flange Option**
Blank - No flange
H14 - Flange (Integral) Drywall Installation

